

# Heath®/Zenith

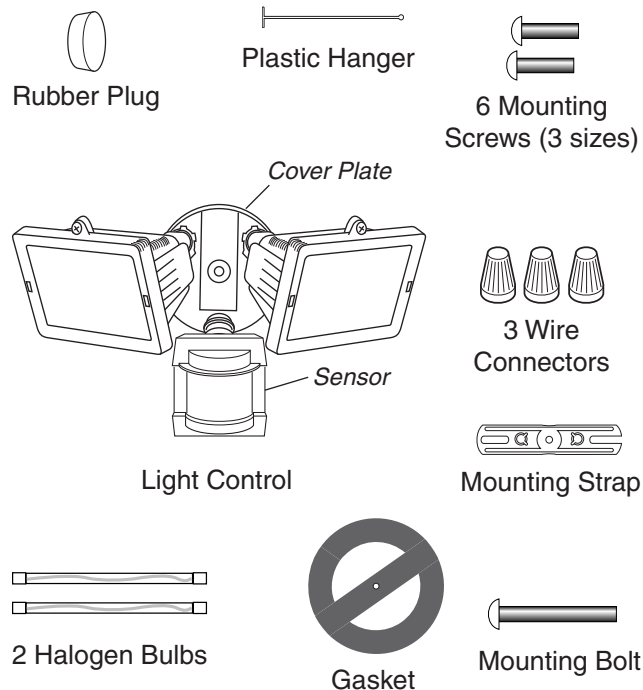
## Twin Halogen Motion Sensing Light Control

Model 5514

### Features

- Turns on lighting when motion is detected.
- Automatically turns lighting off.
- Photocell keeps the lighting off during daylight hours.

This package includes:



## OPERATION

Mode:	On-Time	Works:	Day	Night
<b>Test</b>	5 Seconds		x	x
<b>Auto</b>	1, 5, or 10 Min			x
<b>Manual</b>	Until Dawn*			x

\* resets to Auto Mode at dawn.

**Note:** When first turned on wait about 1 1/2 minutes for the circuitry to calibrate.

### TEST

Put the ON-TIME switch on the bottom of the sensor in the TEST position.

ON-TIME



10 5 1 TEST

### AUTO

Put the ON-TIME switch in the 1, 5, or 10 minute position.

ON-TIME



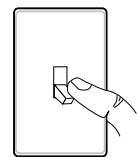
10 5 1 TEST

### MANUAL MODE

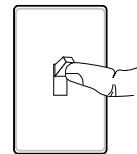
Manual mode only works at night because daylight returns the sensor to AUTO.

Flip the light switch off for one second then back on to toggle between AUTO and MANUAL MODE.

Manual mode works only with the ON-TIME switch in the 1, 5, or 10 position.



1 Second OFF then...

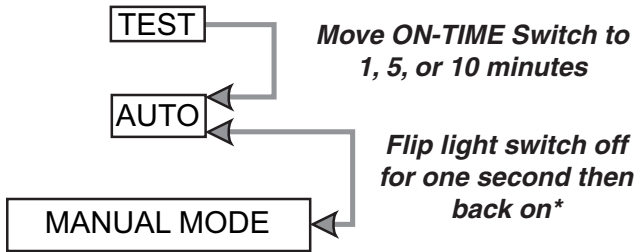


... back on.

### Requirements

- The light control requires 120-volts AC.
- If you want to use Manual Mode, the control must be wired through a switch.
- **Some codes require installation by a qualified electrician.**
- This product is intended for use with the enclosed gasket and with a junction box marked for use in wet locations.

## Mode Switching Summary



\* If you get confused while switching modes, turn the power off for one minute, then back on. After the calibration time the control will be in the AUTO mode.

## INSTALLATION

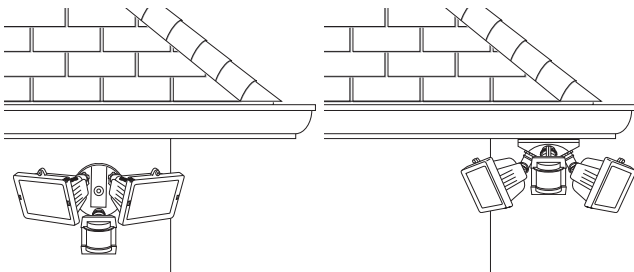
**CAUTION:** Keep the sensor at least 1" (25 mm) away from the bulbs.

**CAUTION: To Avoid Fire Or Burn Hazards:**

- Allow fixture to cool before touching. The bulb and the fixture operate at high temperatures.
- Keep fixture at least 2" (5 cm) from combustible materials. Do not aim at objects closer than 3 feet (1 m).
- Use only T3, 100W (maximum) tungsten halogen 120 VAC lamps.

For easy installation, select an existing light operated by a wall switch for replacement. **IMPORTANT:** Do NOT use with dimmers or timers.

For best performance, mount the fixture about 8 feet (2.4 m) above the ground. **NOTE:** If fixture is mounted higher than 8 feet (2.4 m), aiming the sensor down will reduce coverage distance.



Wall Mount

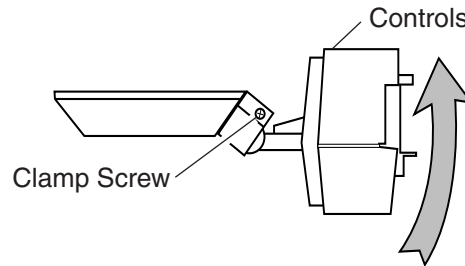
Eave Mount

**NOTE:** Light fixture and sensor should be mounted as shown above when installed (depending upon type of installation).

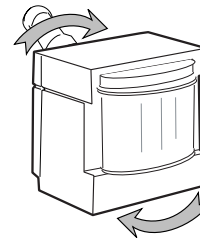
Before installing the light fixture under an eave, the sensor head must be rotated as shown in the next two steps for proper operation and to avoid the risk of electrical shock.

For eave mount only:

- Rotate the sensor head towards the clamp screw joint.



- Then rotate the sensor head clockwise 180° so the controls face down.



If the sensor pops out of the ball joint, loosen the clamp screw and push the sensor back into the ball joint. Tighten the clamp screw when done.

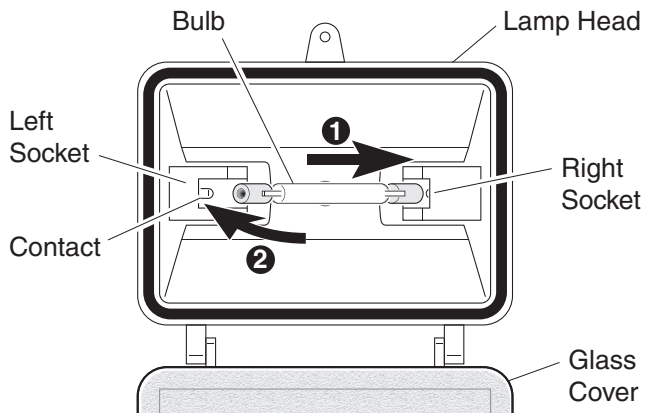
## Bulb Installation and Replacement

**CAUTION:** When replacing bulbs, turn power off and let the fixture cool.

**Important:** Use a clean glove or cloth when handling the new bulb. Use isopropyl (rubbing) alcohol to clean the bulb if it is touched with your bare hands.

**NOTE: Bulbs are included, but need to be installed. The bulbs are located behind the glass cover of each lamp head.**

1. Open lamp head with a phillips head screwdriver. To remove the old bulb, push the bulb towards the right until the left side of the bulb is clear of the left socket.
2. To install the bulb, place one end of the bulb on the contact in the right socket. While pushing the bulb against the right contact, lower the other end of the bulb onto the contact in the left socket.
3. Spin the bulb to verify it is seated properly.
4. Close the lamp head and tighten locking screw securely.

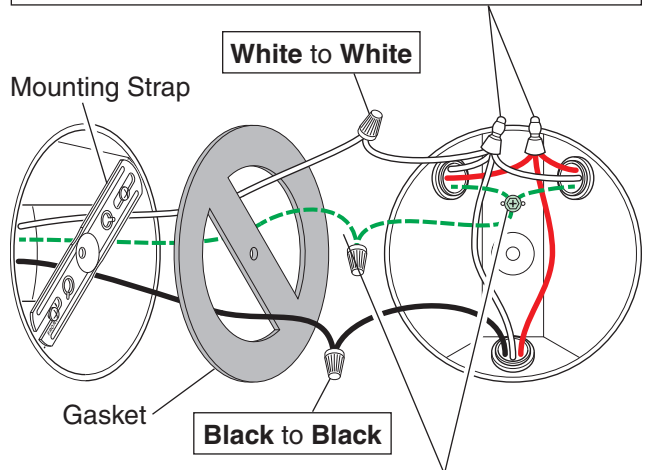


## Wire the Light Control

**WARNING:** Turn power off at circuit breaker or fuse.

1. Remove the existing light fixture.
2. Install mounting strap to junction box using screws appropriate for your junction box.
3. The plastic hanger can be used to hold the fixture while wiring. The small end of the plastic hanger can be threaded through the hole in the center of the cover plate. The small end then goes into one of the slots on the mounting strap.
4. Thread all fixture wires through the large holes in the gasket as shown.
5. Connect the junction box wires to the light fixture wires as shown. Twist together and secure with wire connectors.

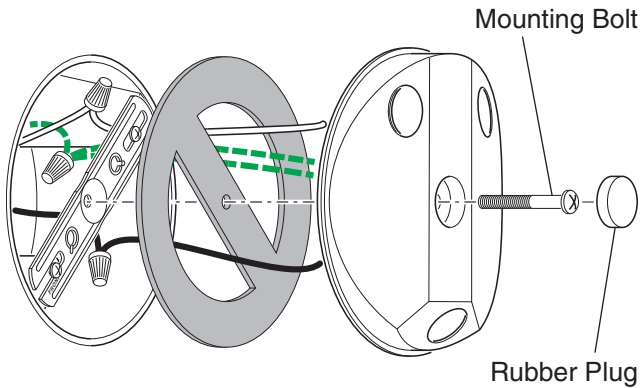
**CAUTION:** Do not cut any wires with factory installed wire connectors.



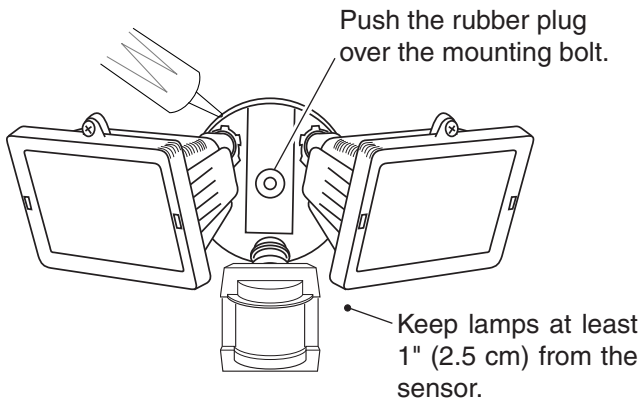
**Connect green or bare copper wire(s) in the fixture to green ground screw and ground wire in junction box. Note: All ground wires shown as green in above illustration.**

## Mount the Light Control

1. Place the mounting bolt through the front of the junction box cover. Push the small gasket hole over the mounting bolt.
2. Make sure the wire connectors and wires are inside the junction box. Align the mounting bolt with the center hole in the mounting strap. Secure the fixture to the mounting strap.
3. Push the rubber plug firmly into place.



4. If not installed on a weatherproof box, **caulk the wall plate and mounting surface** with silicone.
5. Adjust the lamp holders by loosening the lock nuts but do not rotate the lamp holders more than 180° from the factory setting.

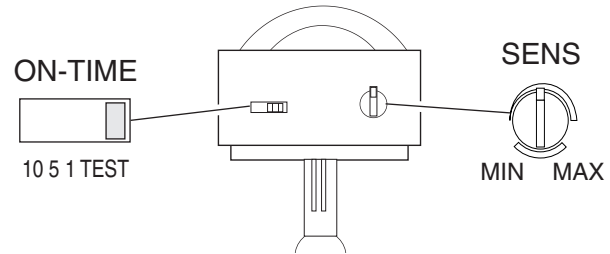


## TEST AND ADJUSTMENT

1. Turn on the circuit breaker and light switch.

**NOTE:** Sensor has a 1 1/2 minute warm up period before it will detect motion. When first turned on, wait 1 1/2 minutes.

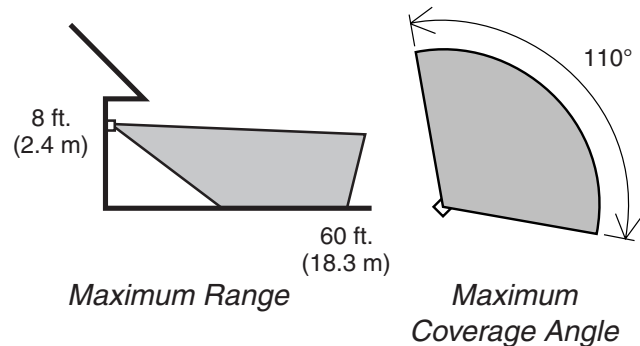
2. Turn the SENSITIVITY (SENS) control to the minimum position (MIN) and the ON-TIME control to the TEST position.



Bottom of Sensor

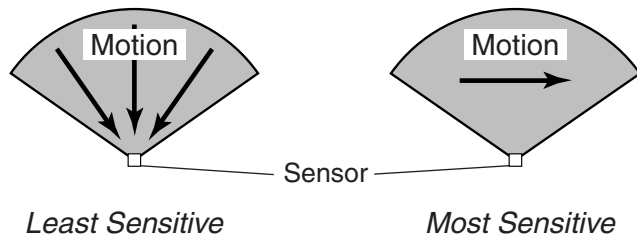
### Avoid aiming the control at:

- Objects that change temperature rapidly, such as **heating vents and air conditioners**. These heat sources could cause false triggering.
- Areas where **pets or traffic** may trigger the control.
- **Nearby large, light-colored objects** reflecting light may trigger the shut-off feature. Do not point other lights at the sensor.

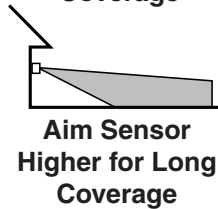
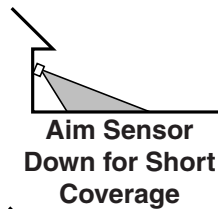
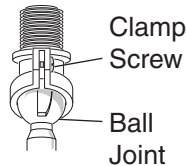


**NOTE:** If fixture is mounted higher than 8 ft. (2.4 m), aiming the sensor down will reduce coverage distance.

The detector is less sensitive to motion directly towards it.



3. Loosen the clamp screw in the sensor ball joint and gently rotate the sensor.
4. Walk through the coverage area noting where you are when the lights turn on. Move the sensor head up, down, or sideways to change the coverage area. **Keep the sensor at least 1" (2.4 cm) away from the lamps.**
5. Adjust the SENSITIVITY as needed. Too much sensitivity may increase false triggering
6. **Secure the sensor head's aim by tightening the clamp screw.** Do not overtighten the screw.
7. Set the amount of TIME you want the lights to stay on after motion is detected (1, 5, or 10 minutes).



## SPECIFICATIONS

Range . . . . .	Up to 60 ft. (18.3 m) [varies with surrounding temperature].
Sensing Angle . . . . .	Up to 110°
Electrical Load . . . . .	200 watt Incandescent [100 Max each lamp holder].
Power Requirements . . . . .	120 VAC, 60 Hz
Operating Modes . . . . .	TEST, AUTO and MANUAL MODE
Time Delay . . . . .	1, 5, 10 minutes
Replacement lamp . . . . .	T3 100W halogen maximum 120 VAC

HeathCo LLC reserves the right to discontinue products and to change specifications at any time without incurring any obligation to incorporate new features in products previously sold.

**⚠ WARNING - Risk of fire. Do not aim the bulbs at a combustible surface within 3 ft. (1 m).**

# TROUBLESHOOTING GUIDE

SYMPTOM	POSSIBLE CAUSE	SOLUTION
Lights will not come on.	<ol style="list-style-type: none"> <li>1. Light switch is turned off.</li> <li>2. Lamp is loose or burned out.</li> <li>3. Fuse is blown or circuit breaker is turned off.</li> <li>4. Daylight turn-off is in effect.</li> <li>5. Incorrect circuit wiring, if this is a new installation.</li> <li>6. Light control aimed in wrong direction.</li> </ol>	<ol style="list-style-type: none"> <li>1. Turn light switch on.</li> <li>2. Check flood lamp and replace if burned out.</li> <li>3. Replace fuse or turn circuit breaker on.</li> <li>4. Recheck after dark.</li> <li>5. Verify wiring is correct.</li> <li>6. Re-aim light control to cover desired area.</li> </ol>
Lights come on in daylight.	<ol style="list-style-type: none"> <li>1. Light control may be installed in a relatively dark location.</li> <li>2. Light control is in TEST.</li> </ol>	<ol style="list-style-type: none"> <li>1. The fixture is operating normally under these conditions.</li> <li>2. Set control switch to 1, 5, or 10 minutes.</li> </ol>
Lights come on for no apparent reason.	<ol style="list-style-type: none"> <li>1. Light control may be sensing small animals or automobile traffic.</li> <li>2. Sensitivity is set too high.</li> </ol>	<ol style="list-style-type: none"> <li>1. Re-aim light control.</li> <li>2. Reduce sensitivity.</li> </ol>
Lights turn off too late in Dusk-to-Dawn setting.	Light control may be installed in a relatively dark location.	Relocate light control, or use 3 hr. or 6 hr. setting.
Lights stay on continuously.	<ol style="list-style-type: none"> <li>1. A lamp is positioned too close to the light control or pointed at nearby objects that cause heat to trigger the light control.</li> <li>2. The light control may be picking up a heat source like an air vent, dryer vent, or brightly painted, heat-reflective surface.</li> <li>3. Light control is in manual mode.</li> </ol>	<ol style="list-style-type: none"> <li>1. Reposition the flood lamp away from the light control or nearby objects.</li> <li>2. Reduce sensitivity. Reposition light control.</li> <li>3. Switch light control to AUTO.</li> </ol>
Lights flash on and off.	<ol style="list-style-type: none"> <li>1. Heat or light from the lamps may be turning the light control on and off.</li> <li>2. Heat being reflected from other objects may be turning the light control on and off.</li> <li>3. Light control is in the TEST mode and warming up.</li> </ol>	<ol style="list-style-type: none"> <li>1. Reposition the flood lamp away from the light control.</li> <li>2. Reposition light control.</li> <li>3. Flashing is normal under these conditions.</li> </ol>
Lights flash once, then stay off in manual mode.	Light control is detecting its own lights.	Reposition flood lamps to keep area below the light control relatively dark.

## TECHNICAL SERVICE

**Please call 1-800-858-8501 (English speaking only) for assistance before returning product to store.**

If you experience a problem, follow this guide. You may also want to visit our Web site at: [www.hzsupport.com](http://www.hzsupport.com). If the problem persists, call\* for assistance at **1-800-858-8501** (English speaking only), 8:00 AM to 5:00 PM CST (M-F). You may also write\* to:

HeathCo LLC  
P.O. Box 90045  
Bowling Green, KY 42102-9045  
ATTN: Technical Service

\* If contacting Technical Service, please have the following information available: Model Number, Date of Purchase, and Place of Purchase.

### No Service Parts Available for this Product

**Please keep your dated sales receipt, it is required for all warranty requests.**

## **TWO YEAR LIMITED WARRANTY**

This is a "Limited Warranty" which gives you specific legal rights. You may also have other rights which vary from state to state or province to province.

For a period of two years from the date of purchase, any malfunction caused by factory defective parts or workmanship will be corrected at no charge to you.

**Not Covered** - Repair service, adjustment and calibration due to misuse, abuse or negligence, light bulbs, batteries, and other expendable items are not covered by this warranty. Unauthorized service or modification of the product or of any furnished component will void this warranty in its entirety. This warranty does not include reimbursement for inconvenience, installation, setup time, loss of use, unauthorized service, or return shipping charges.

This warranty covers only HeathCo LLC assembled products and is not extended to other equipment and components that a customer uses in conjunction with our products.

THIS WARRANTY IS EXPRESSLY IN LIEU OF ALL OTHER WARRANTIES, EXPRESS OR IMPLIED, INCLUDING ANY WARRANTY, REPRESENTATION OR CONDITION OF MERCHANT ABILITY OR THAT THE PRODUCTS ARE FIT FOR ANY PARTICULAR PURPOSE OR USE, AND SPECIFICALLY IN LIEU OF ALL SPECIAL, INDIRECT, INCIDENTAL, OR CONSEQUENTIAL DAMAGES.

REPAIR OR REPLACEMENT SHALL BE THE SOLE REMEDY OF THE CUSTOMER AND THERE SHALL BE NO LIABILITY ON THE PART OF HEATHCO LLC FOR ANY SPECIAL, INDIRECT, INCIDENTAL, OR CONSEQUENTIAL DAMAGES, INCLUDING BUT NOT LIMITED TO ANY LOSS OF BUSINESS OR PROFITS, WHETHER OR NOT FORESEEABLE. Some states or provinces do not allow the exclusion or limitation of incidental or consequential damages, so the above limitation or exclusion may not apply to you.

**Please keep your dated sales receipt, it is required for all warranty requests.**

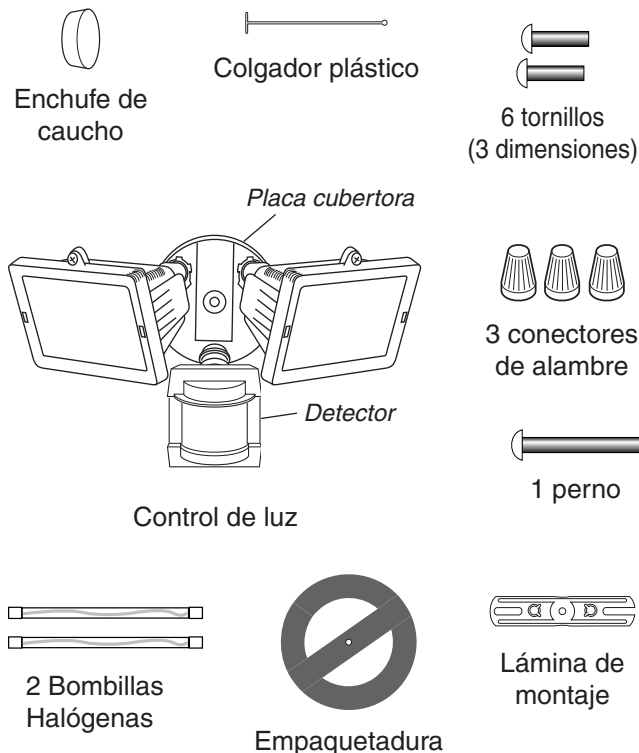
## Elemento de Halógeno Detector de Movimiento

Modelo 5514

### Características

- Prende la luz cuando detecta movimiento.
- Apaga la luz automáticamente.
- La fotocélula mantiene la luz apagada durante el día.

Este paquete tiene:



### Requisitos

- El control de luz requiere 120 VCA.
- Para usar el Sobrecontrol Manual, conecte el control con un interruptor.
- **Algunos códigos requieren instalación por un electricista calificado.**
- Se recomienda usar este producto con el empaque provisto y con una caja de empalme marcada para uso en lugares húmedos.

## FUNCIONAMIENTO

Modalidad:	A tiempo:	Trabaja:	Día	Noche
<b>Prueba</b>	5 segundas		x	x
<b>Autom.</b>	1, 5 o 10 min.			x
<b>Manual</b>	Hasta el amanecer*			x

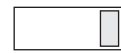
\*Se pone en Automático al amanecer.

**Nota:** Cuando lo prenda por primera vez espere 1 1/2 minutos para que el circuito se calibre.

### Para PRUEBA:

Ponga el interruptor de tiempo (ON-TIME), al fondo del detector, en la posición de prueba (TEST).

ON-TIME

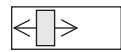


10 5 1 TEST

### Para AUTOMATICO:

Ponga el interruptor de tiempo (ON-TIME) en la posición de 1, 5 o 10 minutos.

ON-TIME



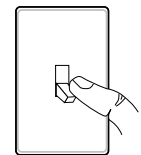
10 5 1 TEST

### Para MODO MANUAL:

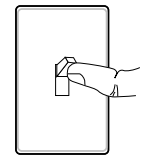
El modo manual funciona sólo por la noche porque la luz del día pone al detector en modo AUTOMATICO.

Apague el interruptor por un segundo y vuélvalo a prender para conmutar entre MODO AUTOMATICO y MANUAL.

El modo manual funciona sólo con el interruptor ON-TIME en la posición 1, 5 o 10.



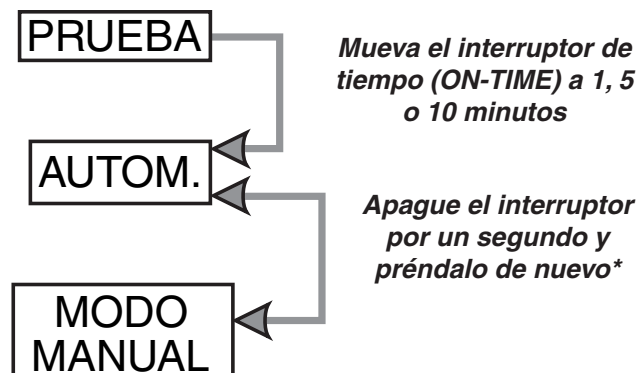
1 segundo  
APAGADO  
luego...



...préndalo.



## Resumen de las modalidades del interruptor



\* Si se confunde mientras cambia de fases, apague la electricidad por un minuto y préndala de nuevo. Después del tiempo de calibración el control estará en fase AUTO(MÁTICA).

## INSTALACIÓN

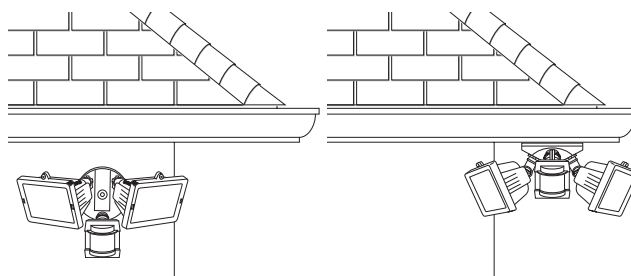
**⚠ CUIDADO:** Mantenga al detector por lo menos a 25 mm de las lámparas.

**⚠ CUIDADO:** Para evitar los peligros de incendio o quemazón:

- Deje que el elemento se enfríe antes de tocarlo. La bombilla y el elemento funcionan a altas temperaturas.
- Mantenga al elemento por lo menos a 25 mm de los materiales combustibles. No lo apunte hacia objetos que estén más cerca de 1 m.
- Use sólo lámparas halógenas de tungsteno de T3, de 78mm y 100 vatios máximo.

Para una fácil instalación escoja una luz con un interruptor de pared. **IMPORTANTE:** No lo use con temporizadores o atenuadores de luz.

Para un mejor funcionamiento, instale el aparato a casi 2.4 m del suelo. **NOTA:** Si el aparato está instalado a más de 8 pies (2,4 m), si se apunta el detector hacia abajo se reducirá la distancia de cobertura.



**Montaje en pared**

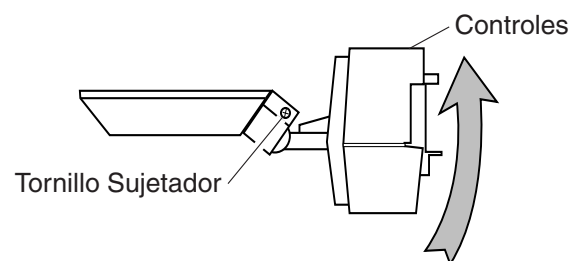
**Montaje en alero**

**NOTA:** La lámpara y el sensor debe montarse como se indica arriba, una vez instalado (según el tipo de instalación).

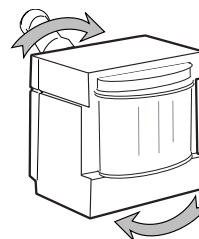
**Antes de instalar la lámpara bajo un alero, la cabeza del sensor debe rotarse** como se muestra en los dos pasos siguientes para la correcta operación y evitar el riesgo de descarga eléctrica.

Sólo para montaje eléctrico:

- Gire la cabeza del detector hacia la unión del tornillo sujetador.



- Entonces gire la cabeza del detector hacia la derecha por 180° hasta que los controles miren hacia abajo.



Si el detector se sale de la unión esférica, afloje el tornillo sujetador y empuje el detector hacia dentro de la unión esférica. Apriete el tornillo sujetador cuando termine.

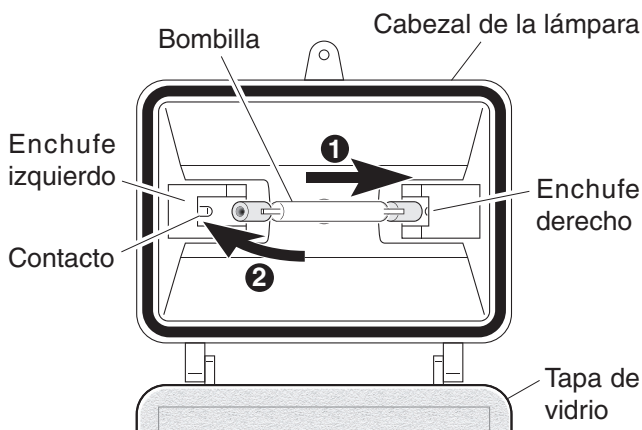
## Instalación y Cambio de la Bombilla

**⚠ CUIDADO:** Cuando cambie la bombilla, apague la energía y deje que el aparato se enfríe.

**Importante:** Cuando manipule la bombilla nueva use un guante o un paño que estén limpios. Use alcohol isopropílico (frotando) para limpiar la bombilla si ha sido tocada con manos desprotegidas.

**NOTA:** Las bombillas se incluyen pero deben ser instaladas. Las bombillas se encuentran detrás de la cobertura de vidrio de cada cabezal de lámpara.

1. Abra el cabezal de la lámpara con un destornillador Phillips. Para sacar la bombilla vieja, empujela hacia la derecha hasta que el lado izquierdo de la bombilla esté fuera del enchufe izquierdo.
2. Para instalar la bombilla, ponga un extremo de la bombilla sobre el contacto del enchufe derecho. Mientras empuja la bombilla contra el contacto derecho, baje el otro extremo de la bombilla sobre el contacto del enchufe izquierdo.
3. Gire la bombilla para verificar que esté correctamente asentada.
4. Cierre el cabezal de la lámpara y ajuste bien el tornillo de retención.

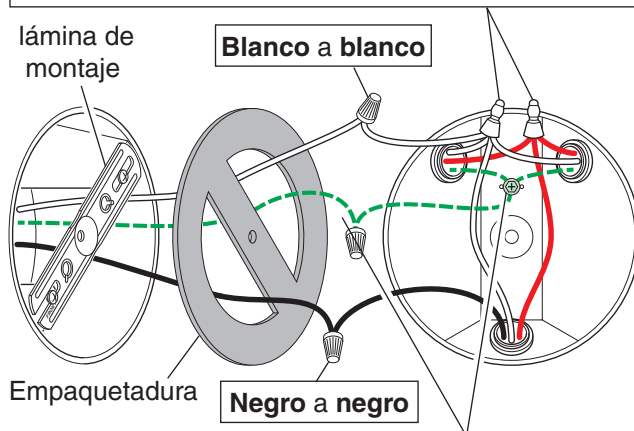


## Conecte el Control de Luz

**⚠ ADVERTENCIA:** Desconecte la energía en el disyuntor.

1. Quite el aparato de luz existente.
2. Instale la lámina de montaje a la caja de empalme usando tornillos apropiados para la caja de empalme.
3. Se puede usar el colgador plástico para sostener el aparato mientras se instala el cableado. El extremo pequeño del colgador se puede pasar por el agujero en el centro de la placa cubertora. El extremo pequeño va luego dentro de las ranuras de la lámina de montaje.
4. Pase todos los cables del aparato por los agujeros grandes del empaque, como se muestra.
5. Conecte los cables de la caja de empalme con los cables del aparato de luz, como se muestra. Tuérazalos juntos y asegúrelos con un conector de cables.

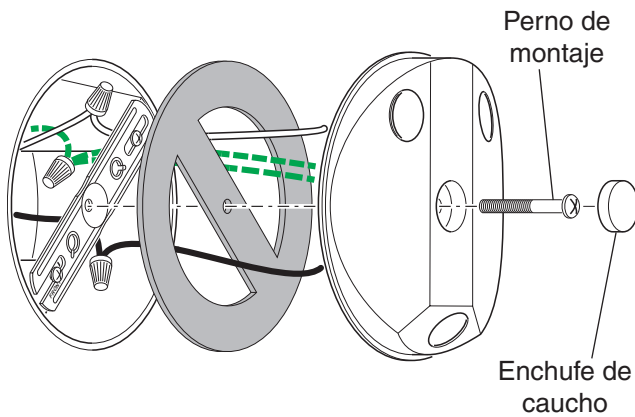
**⚠ CUIDADO:** No corte ningún alambre con los conectores de alambre instalados en fábrica.



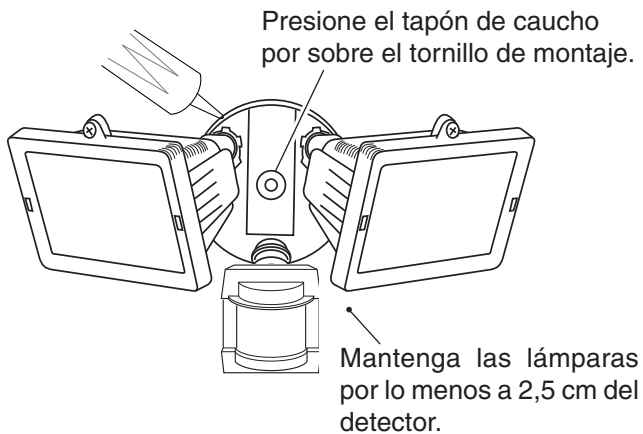
**Conecte el (los) alambre(s) de cobre verde o desnudos del aparato al tornillo verde de conexión a tierra y al alambre de conexión a tierra en la caja de empalme. Nota:** Todos los alambres de conexión a tierra se muestran como verdes en la ilustración de arriba.

## Instale el Control de Luz

1. Ponga el perno de montaje a través del frente de la tapa de la caja de empalme. Empuje el agujero pequeño de la empaquetadura sobre el tornillo de montaje.
2. Asegúrese de que los conectores de cable y los cables estén dentro de la caja de empalme. Alinee el tornillo de montaje con el agujero central de la lámina de montaje. Asegure el aparato a la lámina de montaje.
3. Empuje el tapón de caucho firmemente hasta que encaje.



4. Si no se usó una caja de empalme en un lugar húmedo, **calafatee la superficie de montaje de la placa de la pared con un sellador** de silicona contra la intemperie.
5. Ajuste los portalámparas aflojando las contratuercas y/o los tornillos de fijación, pero no los gire más de 180° de la calibración hecha en fábrica.

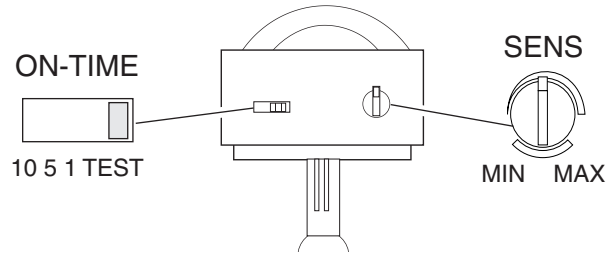


## PRUEBA Y AJUSTE

1. **Prenda el cortacircuitos y el interruptor de luz.**

**NOTA:** El detector tiene un período de cerca de 1 1/2 minutos de calentamiento antes de detectar movimiento. Cuando lo prenda por primera vez, espere 1 1/2 minutos.

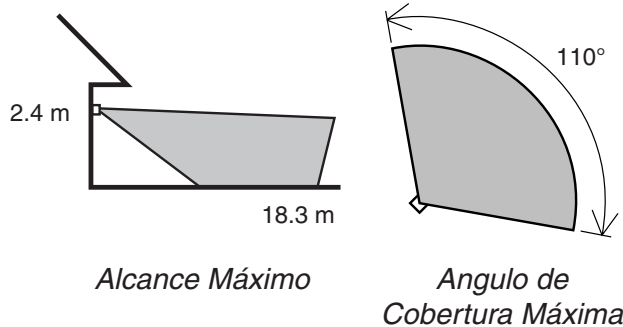
2. Gire el control de sensibilidad (SENS) a la posición mínima (MIN) y el control de DURACIÓN (ON-TIME) a la posición de PRUEBA (TEST).



### Parte de abajo del detector

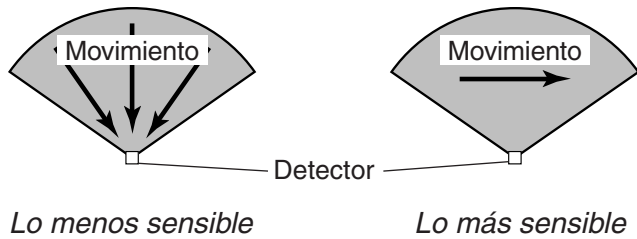
#### Evite apuntar el control hacia:

- Objetos que cambien rápidamente de temperatura tales como **ductos de calefacción y acondicionadores de aire**. Estas fuentes de calor pueden causar falsas alarmas.
- Áreas donde **animales domésticos o el tráfico** puedan activar el control.
- **Los objetos grandes cercanos y de colores resplandecientes** que reflejan la luz del día pueden hacer que el detector se apague. No apunte otras luces hacia el detector.

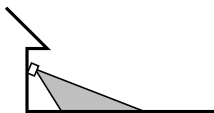


**NOTA:** Si el aparato está instalado a más de 8 pies (2,4 m), si se apunta el detector hacia abajo se reducirá la distancia de cobertura.

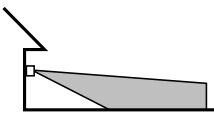
El detector es menos sensible del movimiento que se dirige hacia él.



- Afloje el tornillo sujetador en la unión esférica y gire despacio el detector.
- Camine por el área a protegerse y dése cuenta dónde está cuando se prende la luz. Mueva la cabeza del detector hacia arriba, hacia abajo o hacia los lados para cambiar el área de protección. **Mantenga al detector por lo menos a 2,5 cm de las lámparas.**
- Fije la sensibilidad (SENS) como necesite. Demasiada sensibilidad puede aumentar las falsas alarmas. Use el Aumento de Distancia para más protección.
- Asegure la puntería de la cabeza del detector ajustando el tornillo sujetador.** No lo ajuste demasiado.
- Fije el período de tiempo (ON-TIME) que la luz debe quedarse prendida después de detectar movimiento (1, 5 o 10 minutos).



**Apunte el detector hacia abajo para poca cobertura**



**Apunte el detector más arriba para mayor cobertura**

## ESPECIFICACIONES

- Alcance . . . . . Hasta 18.3 m (varía con la temperatura del medio ambiente).
- Angulo de detección . . . . . Hasta 110°
- Carga Eléctrica . . . . . Hasta 200 Vatios Máximo de luz incandescente (Hasta 100 Vatios Máximo por cada portalámparas)
- Requisitos de Energía . . . . . 120 VCA, 60 Hz
- Fases de Operación . . . . . PRUEBA, AUTOMATICO y MODO MANUAL
- Retardo de Tiempo . . . . . 1, 5 o 10 minutos
- Lámparas de repuesto. . . . . halógenas de tungsteno de T3, 120VAC, 100 Vatios Máx.

HeathCo LLC se reserva el derecho de discontinuar productos y de cambiar especificaciones a cualquier momento sin incurrir en ninguna obligación de tener que incorporar nuevas características en los productos vendidos con anterioridad.

**⚠ ADVERTENCIA: Riesgo de incendio. No apunte las lámparas a superficies combustibles dentro de un 3 pies (1 m).**

# GUIA DE INVESTIGACION DE AVERIAS

SÍNTOMA	POSIBLE CAUSA	SOLUCIÓN
La luz no se enciende.	<ol style="list-style-type: none"> <li>1. El interruptor de luz está apagado.</li> <li>2. El faro está flojo o quemado.</li> <li>3. El fusible está quemado o el cortacircuitos está apagado.</li> <li>4. La desconexión de luz del día está en efecto.</li> <li>5. Alambrado incorrecto, si ésta es una nueva instalación.</li> <li>6. El control de luz está apuntando en dirección incorrecta.</li> </ol>	<ol style="list-style-type: none"> <li>1. Encienda el interruptor de luz.</li> <li>2. Revise el faro y cambie si está quemado.</li> <li>3. Cambie el fusible encienda el disyuntor.</li> <li>4. Compruébelo cuando comience la obscuridad.</li> <li>5. Verifique que el cableado esté correcto.</li> <li>6. Vuelva a apuntar el control de luz para que cubra el área deseada.</li> </ol>
La luz se prende durante el día.	<ol style="list-style-type: none"> <li>1. El control de luz puede estar instalado en un lugar relativamente oscuro.</li> <li>2. El control de luz está en fase de Prueba.</li> </ol>	<ol style="list-style-type: none"> <li>1. El aparato está funcionando normalmente bajo estas condiciones.</li> <li>2. Fije el interruptor de control a 1, 5 o 10 minutos.</li> </ol>
La luz se prende sin ninguna razón aparente.	<ol style="list-style-type: none"> <li>1. El control de luz puede estar detectando animales pequeños o el tránsito de automóviles.</li> <li>2. La Sensibilidad es demasiado alta.</li> </ol>	<ol style="list-style-type: none"> <li>1. Reapunte el control de luz.</li> <li>2. Reduzca la sensibilidad.</li> </ol>
La luz se apaga muy tarde en la calibración del Anochecer al Amanecer.	El control de luz debe instalarse en un sitio relativamente oscuro.	Reubique el control de luz o use un ajuste de 3 ó 6 horas.
La luz se queda prendida continuamente.	<ol style="list-style-type: none"> <li>1. El faro está muy cerca del control de luz o apuntando a objetos cercanos que generan calor y activan el control de luz.</li> <li>2. El control de luz está apuntando hacia una fuente de calor tal como un conducto de aire, de secadora o hacia una superficie con pintura brillante y que refleja el calor.</li> <li>3. El control de luz está en el modo manual.</li> </ol>	<ol style="list-style-type: none"> <li>1. Reubique el faro lejos del control de luz o de objetos cercanos.</li> <li>2. Reduzca la sensibilidad. Reubique el control de luz.</li> <li>3. Cambie el control de luz a AUTO.</li> </ol>
La luz se prende y se apaga.	<ol style="list-style-type: none"> <li>1. El calor o la luz de los faros puede estar encendiendo y apagando el control de luz.</li> <li>2. El calor reflejado por otros objetos puede estar encendiendo y apagando el control de luz.</li> <li>3. El control de luz está en fase de Prueba y calentándose.</li> </ol>	<ol style="list-style-type: none"> <li>1. Reubique el faro lejos del control de luz.</li> <li>2. Reubique el control de luz.</li> <li>3. El prenderse y apagarse es normal bajo estas condiciones.</li> </ol>
La luz se prende una vez y luego permanece apagada en la fase Manual.	El control de luz está detectando su propia luz.	Reubique los faros para mantener relativamente oscura la zona debajo de la lámpara.

## SERVICIO TÉCNICO

**Favor de llamar al 1-800-858-8501 (sólo para hablar en inglés) para pedir ayuda antes de devolver el producto a la tienda.**

Si tiene algún problema, siga esta guía. Usted puede también visitar nuestro sitio Web: [www.hzsupport.com](http://www.hzsupport.com). Si el problema continúa, llame al **1-800-858-8501** (sólo para hablar en inglés), de 8:00 AM a 5:00 PM CST (L-V). Usted puede también escribir a:

HeathCo LLC

P.O. Box 90045

Bowling Green, KY 42102-9045

ATTN: Technical Service (Servicio Técnico)

\* Si se llama al Servicio Técnico, por favor tener lista la siguiente información: Número de Modelo, Fecha de compra y Lugar de compra.

**No hay piezas de servicio disponibles para este producto.**

**Por favor guarde su recibo de venta fechado; se lo requiere para cualquier solicitud de garantía.**

## GARANTÍA LIMITADA A 2 AÑOS

Esta es una "Garantía Limitada" que le da a Ud. derechos legales específicos. Usted puede también tener otros derechos que varían de estado a estado o de provincia a provincia.

Por un período de 2 años desde la fecha de compra, cualquier mal funcionamiento ocasionado por partes defectuosas de fábrica o mano de obra será corregido sin cargo para Ud.

**No cubierto** - Servicio de reparación, ajuste y calibración debido al mal uso, abuso o negligencia, bombillas, baterías, u otras partes fungibles no están cubiertas por esta garantía. Los Servicios no autorizados o modificaciones del producto o de cualquier componente que se provee invalidarán esta garantía en su totalidad. Esta garantía no incluye reembolso por inconveniencia, instalación, tiempo de instalación, pérdida de uso, servicio no autorizado, o costos de transporte de retorno.

Esta garantía cubre solamente los productos ensamblados por HeathCo LLC y no se extiende a otros equipos o componentes que el consumidor usa junto con nuestros productos.

ESTA GARANTÍA ESTÁ EXPRESAMENTE EN LUGAR DE OTRAS GARANTÍAS, EXPRESADAS O SOBREENTENDIDAS, INCLUYENDO CUALQUIER GARANTÍA, REPRESENTACIÓN O CONDICIÓN DE COMERCIALIZACIÓN O QUE LOS PRODUCTOS SE ADAPTEN PARA CUALQUIER PROPÓSITO O USO EN PARTICULAR, Y ESPECIFICAMENTE EN LUGAR DE TODOS LOS DAÑOS ESPECIALES, INDIRECTOS, INCIDENTALES Y CONSECUENTES.

LA REPARACIÓN O EL REEMPLAZO DEBERÍA SER LA ÚNICA SOLUCIÓN DEL CLIENTE Y NO HABRÁ RESPONSABILIDAD POR PARTE DE HEATHCO LLC POR CUALQUIER DAÑO ESPECIAL, INDIRECTO, INCIDENTAL O CONSECUENTE, INCLUIDOS PERO NO LIMITADOS A CUALQUIER PÉRDIDA DE NEGOCIO O GANANCIAS SEAN O NO PREVISIBLES. Algunos estados o provincias no permiten la exclusión o limitación de daños incidentales o consecuentes, de modo que la limitación o exclusión arriba indicada puede que no se aplique a Ud. **Por favor guarde su recibo de venta fechado; se lo requiere para cualquier solicitud de garantía.**

# Heath®/Zenith

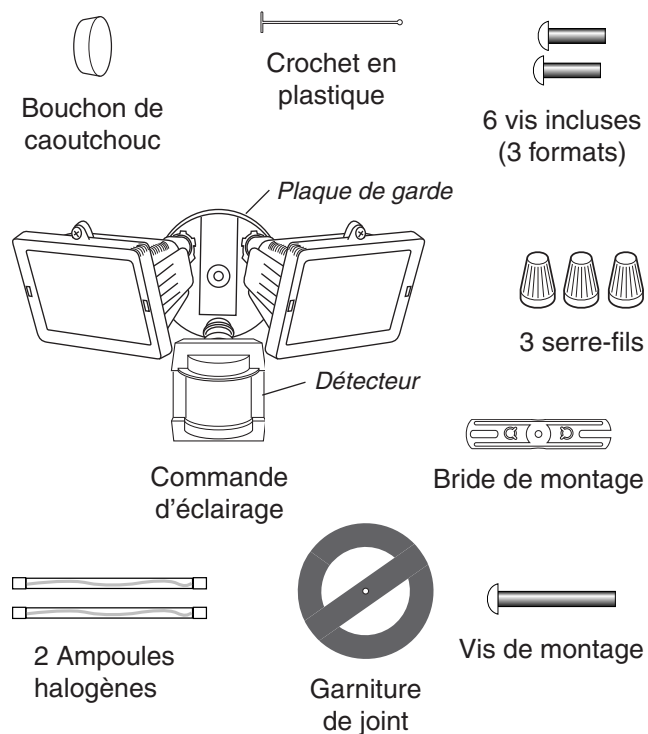
## Commande d'éclairage halogène double à détecteur de mouvement

Modèle 5514

### Caractéristiques

- Allume l'éclairage lorsqu'un mouvement est détecté.
- Éteint automatiquement l'éclairage.
- Photocellule qui maintient l'éclairage éteint pendant la période de lumière du jour.

Cet emballage comprend:



### Exigences

- La commande d'éclairage requiert une source d'alimentation 120V c.a. commandée par un interrupteur mural.
- Certains codes de bâtiment locaux peuvent exiger que l'installation soit faite par un électricien qualifié.
- Ce produit est conçu pour être utilisé avec une boîte de jonction portant une indication d'utilisation possible en milieu humide.

## FUNCTIONNEMENT

Mode:	Temps en circuit :	En fonction : jour nuit
<b>Essai</b>	5 Secondes	x x
<b>Auto</b>	1, 5 ou 10 Min	x
<b>Manuel</b>	au choix, amanecer*	x

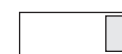
\* Revient au mode automatique au lever du soleil.

**Note:** Après mise en circuit, attendre environ 1 1/2 minute pour que l'étalonnage du circuit soit complété.

### ESSAI

Amener en position d'essai (TEST) l'interrupteur de temps en circuit (ON-TIME) du bas du détecteur.

ON-TIME

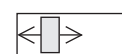


10 5 1 TEST

### AUTOMATIQUE

Amener l'interrupteur de temps en circuit (ON-TIME) à la position correspondant à 1, 5 ou 10 minutes.

ON-TIME



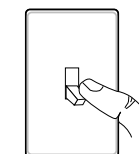
10 5 1 TEST

### PRIORITÉ MANUELLE

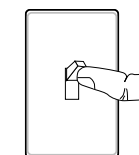
Le mode manuel ne fonctionne que la nuit parce que la lumière du jour remet le capteur en mode AUTO.

Mettre l'interrupteur hors circuit pendant une seconde, puis en circuit pour alterner entre les modes AUTO et MANUEL.

Le mode manuel ne fonctionne qu'avec l'interrupteur ON-TIME, aux positions 1, 5 ou 10.

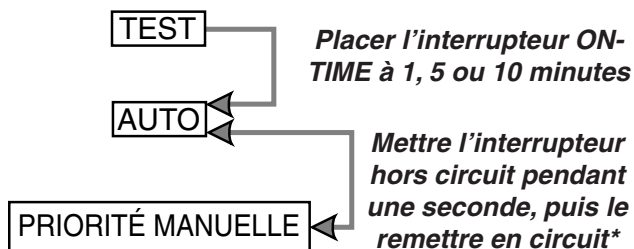


hors circuit pendant 1 seconde, puis ...



... à nouveau en circuit

## Résumé du mode de commutation



\* Si vous ne savez plus dans quel mode se trouve l'appareil, couper l'alimentation pendant une minute puis la rétablir. Après le temps d'étalonnage, la commande reviendra au mode AUTO.

## INSTALLATION

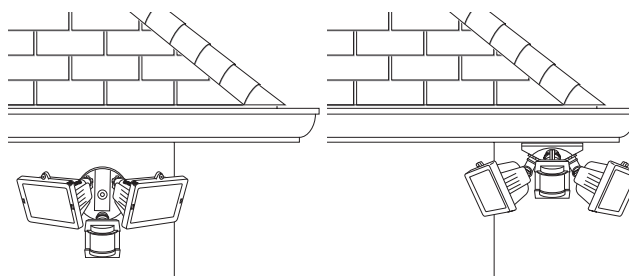
**⚠ AVERTISSEMENT:** Ne pas permettre au détecteur d'être à moins de 25 mm des lampes.

**⚠ AVERTISSEMENT:** Pour éviter les risques de brûlure ou d'incendie

- Laisser l'appareil refroidir avant de le toucher. L'ampoule et l'appareil fonctionnent à haute température.
- Garder l'appareil à au moins 5 mm des matériaux combustibles. Ne pas pointer vers des objets à moins de 1 m.
- Utiliser seulement des ampoules halogènes à deux broches T3 au tungstène, de 100 watts maximum, 120 Vca.

Pour faciliter l'installation, choisir un appareil d'éclairage devant être remplacé et qui est déjà commandé par un interrupteur. **IMPORTANT** : Ne PAS utiliser avec des gradateurs de lumière ou des minuteries.

Pour assurer un rendement optimum, monter le luminaire à environ 2,4 m au-dessus du sol. **NOTE** : Lorsque le luminaire est installé à une hauteur supérieure à 8 pi (2,4 m), le fait de diriger le détecteur vers le bas réduit la portée de la couverture.



Montage mural

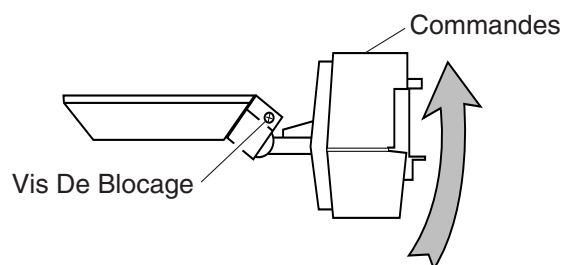
Montage sous avant-toit

**NOTE** : Le luminaire et capteur devraient être montés comme montré ci-dessus au cours de l'installation (selon le type d'installation.)

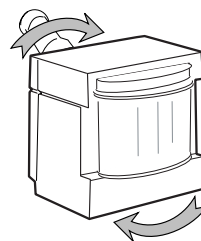
**Avant d'installer le luminaire sous l'avant-toit, le capteur doit être tourné** comme démontré dans les deux étapes suivantes pour une opération fonctionnelle et pour éviter le risque de choc électrique.

Pour montage sous avant-toit seulement:

- Faire pivoter la tête du détecteur en direction du joint à vis de blocage.



- Puis faire pivoter le détecteur sur 180° de façon que les commandes soient tournées vers le bas.



Si le détecteur sort de la rotule, desserrer la vis de blocage et ré-insérer le détecteur dans la rotule et resserrer la vis.



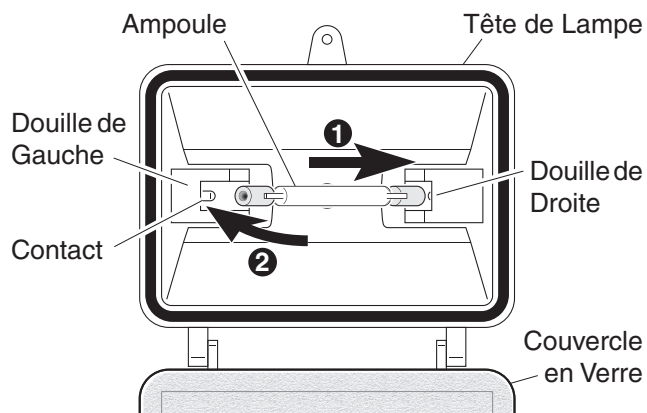
## Installation et Remplacement de L'ampoule

**⚠ AVERTISSEMENT :** Avant de remplacer une ampoule, couper l'alimentation et attendre que l'appareil refroidisse.

**Important :** Utiliser un gant ou un chiffon propre pour manipuler la nouvelle lampe. Utiliser de l'alcool isopropylique (à friction) pour nettoyer la lampe si vous y touchez avec vos doigts.

**NOTE :** Les ampoules sont incluses, mais elles doivent être installées. Les ampoules se trouvent derrière le couvercle en verre de chaque tête de lampe.

1. Ouvrez la tête de lampe avec un tournevis à tête Phillips. Pour retirer l'ampoule usée, pousser l'ampoule vers la droite jusqu'à ce que le côté gauche de l'ampoule soit bien loin de la douille gauche.
2. Pour installer l'ampoule, placez une extrémité de l'ampoule sur le contact dans la douille droite. Tout en poussant l'ampoule contre le contact droit, baissez l'autre extrémité de l'ampoule sur le contact dans la douille gauche.
3. Tournez l'ampoule pour vérifier qu'elle est installée correctement.
4. Fermez la tête de lampe et serrez bien la vis de verrouillage.

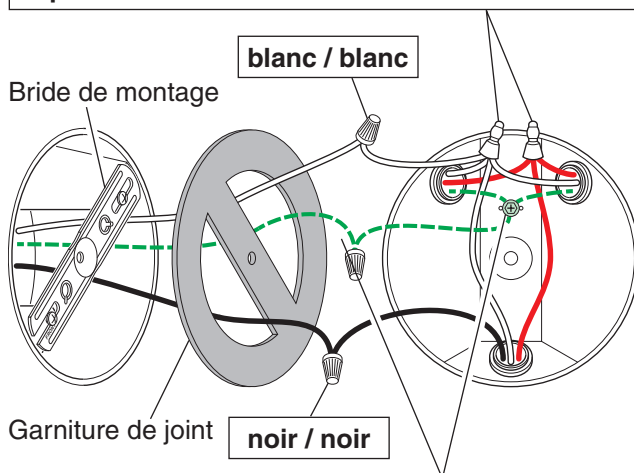


## Câblage de la Commande D'Éclairage

**⚠ MISE EN GARDE :** Coupez l'alimentation au disjoncteur ou au fusible.

1. Enlever l'appareil d'éclairage existant.
2. Installer la bride de montage sur la boîte de jonction avec les vis appropriées.
3. Le crochet en plastique peut servir à supporter le luminaire pendant le câblage. Le petit bout du crochet en plastique peut être inséré dans le trou au centre de la plaque de couverture. Ensuite, le petit bout est inséré dans une des fentes de la barre de montage.
4. Faire passer les fils de l'appareil d'éclairage par les grosses ouvertures de la garniture, comme montré.
5. Raccorder les fils de la boîte de jonction aux fils de l'appareil d'éclairage. Les torsader ensemble et les fixer avec un serre-fils.

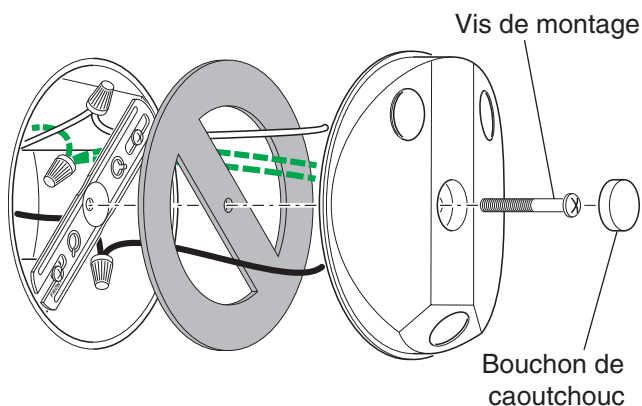
**ATTENTION :** Ne coupez aucun fil doté d'un capuchon de connexion installé en usine.



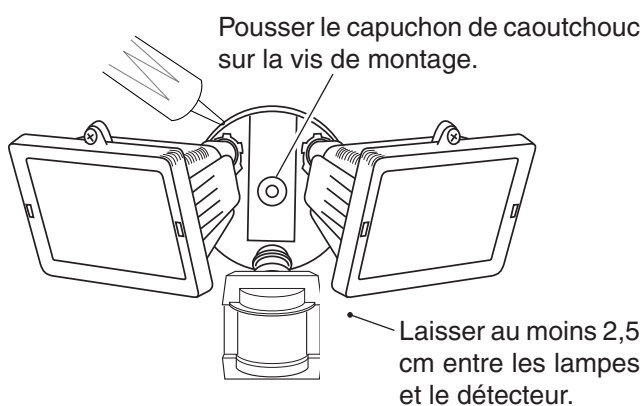
**Branchez le fil vert ou de cuivre dénudé du luminaire à la vis verte ou au fil de mise à la terre dans la boîte de raccordement. Note :** Tous les fils de mise à la terre sont en vert dans l'illustration ci-dessus.

## Montage de la Commande D'Éclairage

1. Insérer la vis de montage dans le trou du couvercle de la boîte de jonction. Pousser le petit trou de la garniture sur la vis de montage.
2. S'assurer que les serre-fils et les fils se trouvent à l'intérieur de la boîte de jonction. Aligner la vis de montage sur le centre du trou de la bride de montage. Fixer l'appareil à la bride de montage.
3. Poussez le bouchon de caoutchouc fermement en place.



4. Si le boîtier n'est pas étanche aux intempéries, **calfeutrer la plaque murale et la surface de montage** avec un scellant silicone.
5. Régler les douilles de lampe en desserrant les contre-écrous, mais ne pas faire tourner les douilles de lampe de plus de 180° par rapport au réglage d'usine.

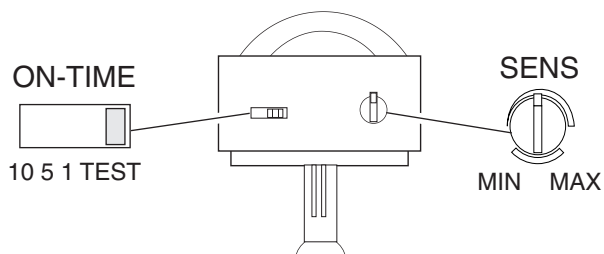


## ESSAIS ET RÉGLAGES

1. Mettre en circuit le disjoncteur et l'interrupteur d'éclairage.

**NOTE:** Le capteur doit se réchauffer 1 1/2 minute avant de pouvoir détecter le mouvement. Lorsque l'appareil est mis en circuit, attendre 1 1/2 minute.

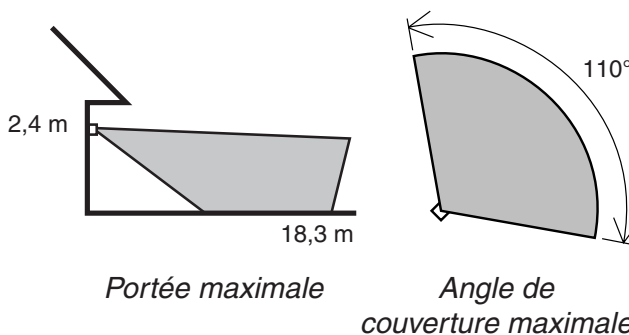
2. Placez le bouton sensibilité (SENS) en position minimale (MIN) et le bouton ON-TIME à TEST.



Bas du détecteur

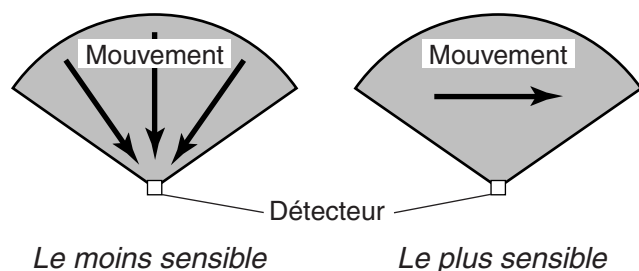
### Éviter de pointer l'appareil:

- en direction d'objets dont la température change rapidement, tels que **des bouches d'air chaud et des climatiseurs**. De telles sources de chaleur peuvent provoquer des déclenchements intempestifs.
- vers des endroits où **des animaux, des véhicules ou des passants** peuvent déclencher la commande.
- sur **de grands objets clairs à proximité** qui réfléchissent la lumière du jour et risquent de déclencher le dispositif d'arrêt. Ne pas pointer d'autres appareils d'éclairage vers le détecteur.

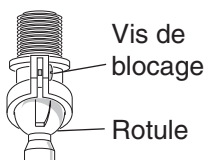


**NOTE :** Lorsque le luminaire est installé à une hauteur supérieure à 8 pi (2,4 m), le fait de diriger le détecteur vers le bas réduit la portée de la couverture.

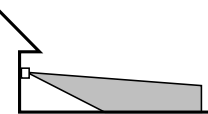
Le détecteur est moins sensible au mouvement dans sa direction.



3. Desserrer la vis de blocage de la rotule et faire pivoter le détecteur pour pointer.
4. Marcher dans la zone de couverture et noter à quel endroit l'éclairage se déclenche. Déplacer la tête du détecteur vers le haut, le bas ou le côté pour modifier la zone de couverture.  
**Ne pas permettre au détecteur d'être à moins de 25 mm des lampes.**
5. Régler la sensibilité (SENSITIVITY) selon les besoins. Une trop grande sensibilité pourrait causer des déclenchements intempestifs.
6. **Fixer la tête du détecteur en position en serrant la vis de blocage.** Éviter de trop serrer la vis.
7. Régler la durée d'éclairage (TIME) après la détection d'un mouvement. Elle peut être réglée de 1, 5, 10 minutes.



**Pointer le détecteur vers le bas pour réduire la couverture**



**Pointer le détecteur vers le haut pour augmenter la couverture**

## FICHE TECHNIQUE

- Portée . . . . . Jusqu'à 18,3 m (varie selon la température ambiante)
- Angle de détection . . . Jusqu'à 110°
- Charge électrique . . . Jusqu'à 200 Watts Maximum, incandescent (Jusqu'à 100 Watts Maximum par douille)
- Courant requis (lampes éteintes) . . . 120 V c.a., 60 Hz
- Modes de fonctionnement . . . . . Essai, automatique et priorité manuelle
- Minuterie . . . . . Réglable de 1, 5, 10 minutes
- Ampoule de remplacement . . . . . Halogène à deux broches, T3 de 100 watts, 120 Vca

HeathCo LLC se réserve le droit d'abandonner tout produit et d'en changer les spécifications, en tout temps et sans contracter quelque obligation que ce soit quant à l'incorporation de nouvelles caractéristiques aux produits déjà vendus.

**⚠ AVERTISSEMENT: Risque d'incendie ! Ne pas pointer les lampes vers une surface combustible située à moins de 1 mètre.**

# GUIDE DE DÉPANNAGE

SYMPTÔME	CAUSE POSSIBLE	SOLUTION
L'éclairage ne s'allume pas.	<ol style="list-style-type: none"> <li>1. L'interrupteur d'éclairage est hors tension.</li> <li>2. Le projecteur n'est pas bien vissé ou est grillé.</li> <li>3. Le fusible a sauté ou le disjoncteur a été déclenché.</li> <li>4. Le dispositif de coupure pendant le jour fonctionne.</li> <li>5. Mauvais câblage du circuit, dans le cas d'une nouvelle installation.</li> <li>6. La commande d'éclairage est orientée dans la mauvaise direction.</li> </ol>	<ol style="list-style-type: none"> <li>1. Mettre l'interrupteur sous tension.</li> <li>2. Vérifiez le projecteur et remplacez-le s'il est grillé.</li> <li>3. Remplacer le fusible ou réenclencher le disjoncteur.</li> <li>4. Vérifiez à nouveau à la noirceur.</li> <li>5. S'assurer que le câblage est approprié.</li> <li>6. Modifiez l'orientation de la commande afin de couvrir la zone souhaitée.</li> </ol>
L'éclairage s'allume en plein jour.	<ol style="list-style-type: none"> <li>1. La commande peut être installée dans un endroit relativement sombre.</li> <li>2. La commande est en mode TEST.</li> </ol>	<ol style="list-style-type: none"> <li>1. Le luminaire fonctionne normalement dans de telles conditions.</li> <li>2. Réglez le commutateur de commande à 1, 5 ou 10 minutes.</li> </ol>
L'éclairage s'allume sans raison apparente.	<ol style="list-style-type: none"> <li>1. La commande peut détecter de petits animaux ou la circulation automobile.</li> <li>2. La portée est trop élevée.</li> </ol>	<ol style="list-style-type: none"> <li>1. Modifiez l'orientation de la commande.</li> <li>2. Réduire la sensibilité.</li> </ol>
L'éclairage s'allume trop tard sous le réglage crépuscule-aube.	La commande d'éclairage est installée dans un endroit relativement sombre.	Déplacez la commande ou utilisez le réglage 3 hr. ou 6 hr.
L'éclairage reste allumé continuellement.	<ol style="list-style-type: none"> <li>1. L'un des projecteurs est placé trop près de la commande ou est orienté vers un objet à proximité, dont la chaleur entraîne le déclenchement de l'appareil.</li> <li>2. La commande d'éclairage est pointée vers une source de chaleur comme un événement, une sortie de sècheuse, ou une surface claire qui réfléchit la chaleur.</li> <li>3. La commande d'éclairage est en mode manuel.</li> </ol>	<ol style="list-style-type: none"> <li>1. Modifiez l'orientation du projecteur de sorte qu'il ne soit pas dirigé vers la commande ni vers un objet à proximité.</li> <li>2. Réduire la sensibilité. Déplacez la commande.</li> <li>3. Faites passer le commutateur à la position AUTO.</li> </ol>
L'éclairage clignote.	<ol style="list-style-type: none"> <li>1. La chaleur ou la lumière des projecteurs active et désactive l'éclairage.</li> <li>2. La chaleur réfléchi par des objets active et désactive l'éclairage.</li> <li>3. La commande est en mode test et se réchauffe.</li> </ol>	<ol style="list-style-type: none"> <li>1. Modifiez l'orientation du projecteur de sorte qu'il ne soit pas dirigé vers la commande.</li> <li>2. Déplacez la commande.</li> <li>3. Le clignotement est normal dans ces conditions.</li> </ol>
L'éclairage clignote une fois, puis reste éteint en mode manuel.	La commande d'éclairage détecte sa propre lumière.	Déplacez les projecteurs de façon à conserver la zone située sous la commande dans une relative noirceur.

## SERVICE TECHNIQUE

**Veillez faire le 1 800 858-8501 (service en anglais seulement) pour obtenir de l'aide avant de retourner l'article au magasin.**

En cas de problème, suivez ce guide. Vous pouvez aussi visiter notre site Web à [www.hzsupport.com](http://www.hzsupport.com). Si le problème persiste, composez\* le **1 800 858-8501** (service en anglais seulement), entre 8 h 00 et 17 h 00, HNC, du lundi au vendredi. Vous pouvez aussi écrire au :

HeathCo LLC

P.O. Box 90045

Bowling Green, KY 42102-9045

ATTN: Technical Service (Service technique)

\* Lors d'un appel au service technique, veuillez avoir les renseignements suivants à portée de main : numéro du modèle, date d'achat et endroit de l'achat.

**Aucune pièce de rechange n'est disponible pour ce produit.**

**Veillez conserver le reçu portant la date d'achat; vous en aurez besoin pour toutes vos demandes liées à la garantie.**

## GARANTIE LIMITÉE DE 2 ANS

Il s'agit d'une « Garantie limitée » qui vous confère des droits juridiques spécifiques. Vous pouvez également jouir d'autres droits, variables d'une province à l'autre.

Pendant une période de 2 ans à compter de la date d'achat, toute anomalie de fonctionnement imputable à un vice de matériau ou de main-d'oeuvre sera corrigée gratuitement.

**Exclusions de la garantie** - Réparations, réglage et calibrage dus à une mauvaise utilisation, un mauvais traitement ou à la négligence. Les ampoules, les piles et des autres articles non durables ne sont pas couverts par cette garantie. Le service non autorisé ou la modification du produit ou d'un ou l'autre de ses composants invalidera totalement la présente garantie. Cette garantie n'inclut pas le remboursement pour le dérangement, l'installation, le réglage, la perte d'utilisation, le service non autorisé ou les frais d'expédition pour le renvoi de la marchandise.

La garantie ne couvre que les produits assemblés HeathCo LLC et ne s'étend pas aux autres équipements et composants que le client pourrait utiliser conjointement avec nos produits.

CETTE GARANTIE TIENT EXPRESSÉMENT LIEU DE TOUTES AUTRES GARANTIES, EXPLICITES OU IMPLICITES, Y COMPRIS DE TOUTE GARANTIE DE REPRÉSENTATION OU DE CONDITION DE CONVENANCE À LA COMMERCIALISATION OU À L'EFFET QUE LES PRODUITS CONVIENNENT À UN BUT OU À UNE UTILISATION PARTICULIÈRE, ET SPÉCIFIQUEMENT DE TOUS DOMMAGES SPÉCIAUX, DIRECTS, INDIRECTS OU SECONDAIRES.

LE REMPLACEMENT OU LA RÉPARATION CONSTITUENT LE SEUL RECOURS DU CLIENT ET HEATHCO LLC NE POURRA ÊTRE TENUE RESPONSABLE DE TOUS DOMMAGES SPÉCIAUX, DIRECTS, INDIRECTS OU SECONDAIRES, Y COMPRIS, SANS S'Y LIMITER, LES PERTES COMMERCIALES ET PERTES DE PROFIT, QU'ELLES SOIENT PRÉVISIBLES OU NON. Certaines provinces n'autorisent pas l'exclusion ou la limitation des dommages indirects ou secondaires, et la limitation ou l'exclusion ci-dessus pourrait ne pas s'appliquer à vous. **Veillez conserver le reçu portant la date d'achat; vous en aurez besoin pour toutes vos demandes liées à la garantie.**





# **Heath®/Zenith**

**Purchase Information**  
**Información de la compra**  
**Renseignements d'achat**

**Model #:** \_\_\_\_\_

**Date of Purchase:** \_\_\_\_\_

**Nº de modelo / N° de modèle**

**Fecha de compra / Date d'achat**

**Staple Purchase Receipt Here**

**Engrape aquí el recibo de compra**

**Agrafez le reçu d'achat ici**

**PLEASE KEEP YOUR DATED SALES RECEIPT,  
IT IS REQUIRED FOR ALL WARRANTY REQUESTS.**

**POR FAVOR GUARDE SU RECIBO DE VENTA FECHADO; SE LO  
REQUIERE PARA CUALQUIER SOLICITUD DE GARANTÍA.**

**VEUILLEZ CONSERVER LE REÇU PORTANT LA DATE D'ACHAT;  
VOUS EN AUREZ BESOIN POUR TOUTES VOS DEMANDES  
LIÉES À LA GARANTIE.**