

Motion Activated LIGHTING CONTROLS

Heath[®]/Zenith

SPECIFICATION SHEET

Model # **SL-6117**



**CFL
&
LED
Compatible**

Available Colors: White (SL-6117-WH) and Ivory (SL-6117-IV)

SPECIFICATIONS

Power Supply

- 120VAC, 60 Hz

Type

- 3-Way

Wires

- AWG#18 (UL Recognized)

Maximum Load

- Up to 500 Watts Incandescent
- Up to 400 Watts Fluorescent
- Up to 1/8 hp Motor Load

Minimum Load

- 2 Watts

Temperature

- +55° F to +85° F

Detection Range

- Up to 30 Feet

Detection Angle

- 150° motion detection angle



Features

- CFL and LED compatible
- Slide switch selectable OFF, ON, and AUTO
- Selectable on-time from 5 – 30 minutes
- Adjustable photocell
- Works with motors up to 1/8 hp

Suggested Applications

- Bathroom
- Bedroom
- Hallway
- Den / Living Room
- Kitchen
- Workshop

Mode Selection Switch

This switch allows you to select one of three modes of operation: OFF, AUTO, or ON.

OFF: Lights stay off.

AUTO: Lights automatically come on when motion is detected and the existing light is below the set level.

ON: Lights stay on continuously.

Timer

There are 5 preset selections for the amount of time the lights stay on: Test (30 seconds), 5, 10, 20, and 30 minutes. Turn the TIME control until it "snaps" into the desired time position.

Photocell Adjustment

You can adjust the sensor's sensitivity to existing light. By turning the control fully clockwise, the sensor will turn lights on even in full daylight. By turning the control fully counterclockwise, the sensor will only turn lights on when the existing light is very low.

Dimensions

W: 1.66" D: 1.72" H: 4.07"

Fits a standard 2-3/4" depth junction box.

Fits "wide" front switch plates with 1-5/16" x 2-5/8" opening.

Warranty

- 1 Year Warranty

JOB #

JOB NAME

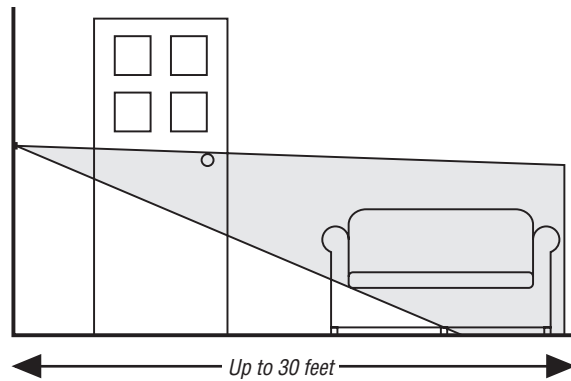
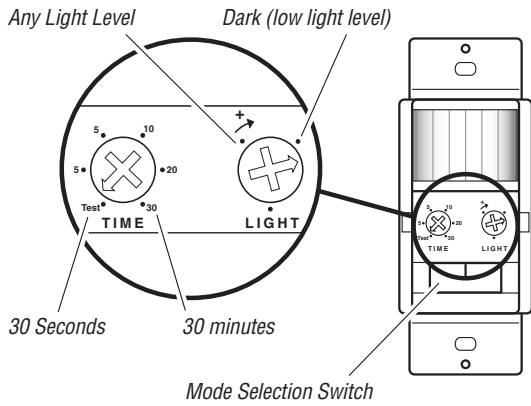
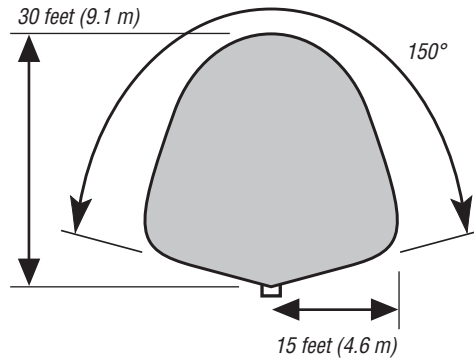
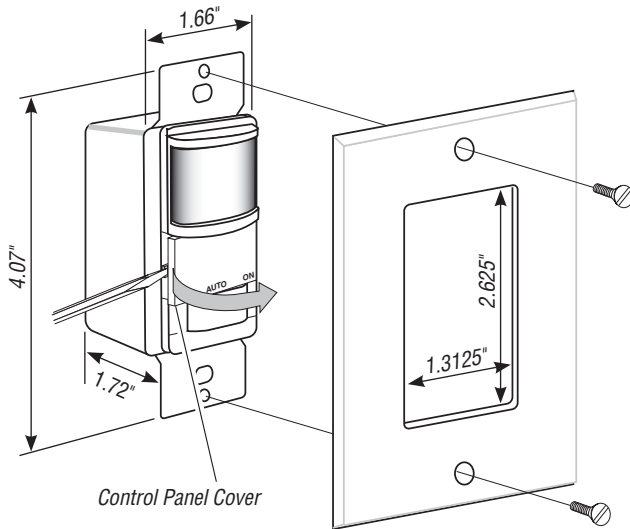
HeathCo[™]

2445 Nashville Road
P.O. Box 90045
Bowling Green, KY 42102-9045

Tech Service (800) 858-8501
Sales (270) 846-8400
Fax (270) 846-8501

www.heath-zenith.com

USAGE & COVERAGE



WIRING

WARNING: Turn power off at the circuit breaker before wiring.

